



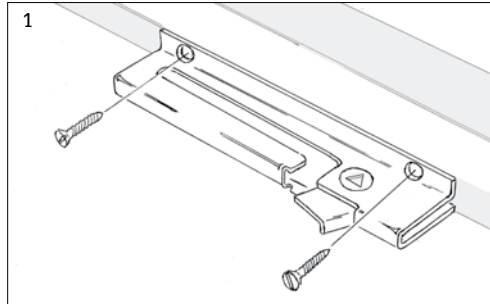
Fitting of the lockable restrictor

(VELFAC 200 alu / VELFAC 200i / VELFAC 200 ENERGY)

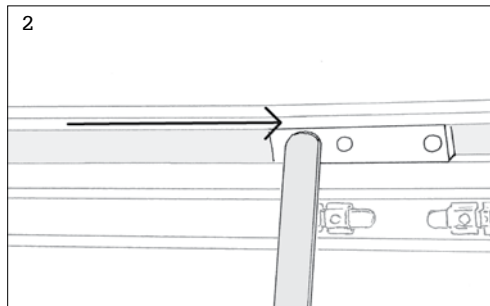
Place the lockable restrictor is the opening side of the window, on the jamb or the cill depending on the opening function. In this instruction the restrictor is placed on the cill.



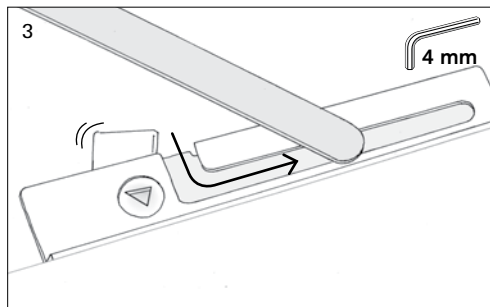
N.B. Lockable restrictors should not be installed in fire escape windows.



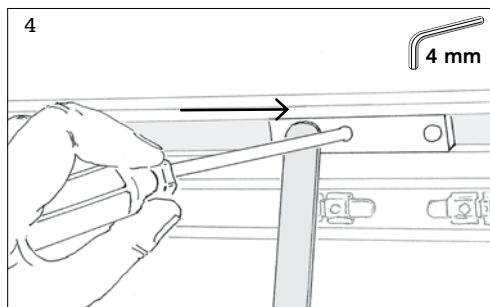
Place the restrictor fitting in the middle of the front edge of the frame. Mark out the drilling holes and pre-drill using a Ø3mm drill. Fasten the restrictor using Ø4 x 50mm screws.



Move the arm into the groove of the window sash.

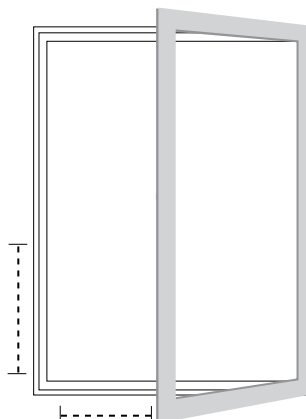


Place the arm into the restrictor fitting and lock the restrictor by turning the screw 90°. Please use VELFAC special Allen key.



Open the window sash to the maximum opening position required. Finally, tighten the fitting of the arm.

N.B. Required window size:
Installation at the cill requires a window wider than 500mm.
Installation at the jamb requires a window higher than 350mm.



PLACEMENT:

Sidehung windows: the restrictor may be fitted within the area shown on the drawing.

Side-guided windows: the restrictor may only be fitted on the jamb.

Top-guided windows: the restrictor may only be fitted on the cill.

NB: Please make sure the restrictor does not conflict with the espagnolette handle, vents etc. Please keep a minimum distance of 5-6mm to the striking plate.